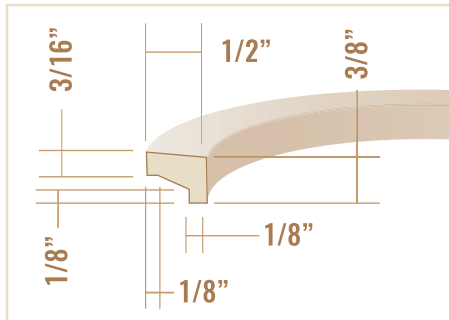


PERFECT Putty

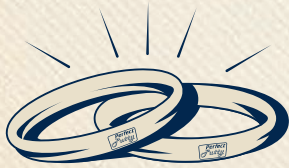
Save Time & Money!

PERFECT PUTTY®

Perfect Putty® is a pre-installed Plumber's Putty Rope with a specifically designed profile to provide the maximum amount of putty in the areas where it is needed. This profile makes sure the **installation is quick and perfect**. A minimal amount of putty is wasted compared to the method of rolling putty ropes by hand from a tub of putty.



The top angle hugs the flange at the top of the strainer or pop-up. The front angle makes sure enough putty contacts the sink or tub.



All Perfect Putty® Items are Hermetically Sealed to keep the putty in perfect condition until you are ready to install it!



Scan QR Code for quick website access

New! Now Available Innovative!

SINK STRAINER ASSEMBLIES

complete with
PRE-INSTALLED PLUMBER'S PUTTY



PERFECT Putty
Look for Perfect Putty mark

24 Strainer Assemblies, In 4 Different Finishes.

Hermetically Sealed to keep the Putty in Perfect condition until you are ready to install it!

Less Waste. Installation is Quick and Perfect.

Two Packaging Styles Available:

Retail-Friendly, Full-Color Box with Part Number, Description/Features, Product Photo and Barcode.

Perfect Putty® Exclusive Packaging Features:

- Wraparound Window with Side View that reveals the pre-installed Perfect Putty®.
- QR Codes for convenient Web Access and Info.
- Labeled with Detailed Features and Benefits, to assist the consumer in making the best choice for his or her application.

Wholesale Style, Labeled White Box with Part Number, Description/Features, Product Photo and Barcode.



ALSO AVAILABLE: Perfect Putty®
- POP-UP ASSEMBLIES
- BATH WASTE & OVERFLOWS



Kissler & CO INC

FOR MORE INFORMATION : Call 1-800-KISSLER or Email Sales@Kissler.com
www.perfectputty.net ■ www.kissler.com

PERFECT Putty

New Products Available

PRE-INSTALLED PLUMBER'S PUTTY

Available Items Listing

--- Shrink-Wrapped and Labeled Packaging ---

Pricing varies, based on model, features and packaging. Contact your Kissler Sales Representative for details and pricing.



YOUR CHOICE OF PACKAGING

Wholesale Packaging
Labeled White Box

Retail Packaging
Full Color Box



SINK STRAINER ASSEMBLIES



White

ABS Basket Strainer Assembly White Plastic Basket with Post
 Plastic Body
 Stainless Steel Wrapped Rim
 Fits Sinks Up to 1/2" Thick, Plastic Lock Nut
 Plastic Tail Piece Nut, Poly Washer
59-3000 Wholesale Packaging
759-3000 Retail Packaging



Chrome

ABS Basket Strainer Assembly Stainless Steel Basket with Post
 Plastic Body, Chrome Finish
 Stainless Steel Wrapped Rim
 Fits Sinks Up to 1/2" Thick, Plastic Lock Nut
 Plastic Tail Piece Nut, Poly Washer
59-3005 Wholesale Packaging
759-3005 Retail Packaging



Chrome

Basket Strainer Assembly Stainless Steel Basket with Post
 Stainless Steel Body, Chrome Finish
 Fits Sinks Up to 1/2" Thick, Zinc Lock Nut
 Zinc Tail Piece Nut, Poly Washer
59-3100 Wholesale Packaging
759-3100 Retail Packaging



Satin/Brushed Nickel

Basket Strainer Assembly Satin/Brushed Nickel Finish
 Stainless Steel Body
 Satin/Brushed Nickel Finish
 Fits Sinks Up to 1/2" Thick, Zinc Lock Nut
 Zinc Tail Piece Nut, Poly Washer
59-3102 Wholesale Packaging
759-3102 Retail Packaging



SINK STRAINER ASSEMBLIES

**PERFECT
Putty**

Oil Rubbed Bronze

Polished Brass



Basket Strainer Assembly

Stainless Steel Body
Oil Rubbed Bronze Finish
Fits Sinks Up to 1/2" Thick, Zinc Lock Nut
Zinc Tail Piece Nut, Poly Washer

Oil Rubbed Bronze Finish
Stainless Steel Basket with Post

59-3104 Wholesale Packaging
759-3104 Retail Packaging

Basket Strainer Assembly

Stainless Steel Body
Polished Brass Finish
Fits Sinks Up to 1/2" Thick, Zinc Lock Nut
Zinc Tail Piece Nut, Poly Washer

Polished Brass Finish
Stainless Steel Basket with Post

59-3106 Wholesale Packaging
759-3106 Retail Packaging

Chrome

Chrome



Basket Strainer Assembly

Stainless Steel Body
Chrome Finish
Fits Sinks Up to 1/2" Thick, Zinc Lock Nut
Zinc Tail Piece Nut, Poly Washer

Stainless Steel Basket
with Spring Lock Post

59-3110 Wholesale Packaging
759-3110 Retail Packaging

Basket Strainer Assembly

Stainless Steel Body, Chrome Finish
Fits Sinks Up to 1/2" Thick
1-1/2" Zinc Lock Nut, Galvanized Steel Pressure Cup Housing
Zinc Tail Piece Nut, Poly Washer

Stainless Steel Basket
with Long Post

59-3120 Wholesale Packaging
759-3120 Retail Packaging

Chrome

Chrome



Basket Strainer Assembly

Stainless Steel Body
Chrome Finish
Fits Sinks Up to 1/2" Thick, Zinc Lock Nut
Zinc Tail Piece Nut, Poly Washer

Stainless Steel Basket
with Long, Spring Lock Post

59-3130 Wholesale Packaging
759-3130 Retail Packaging

**Basket Strainer Assembly
EZ-On Mount**

Stainless Steel Body, Chrome Finish
Fits Sinks Up to 1" Thick
Galvanized Steel 3 Screw Rapid Mount Assembly
Brass Tail Piece Nut, Poly Washer

Stainless Steel Basket
with Spring Lock Post

59-3140 Wholesale Packaging
759-3140 Retail Packaging

SINK STRAINER ASSEMBLIES



Satin/Brushed Nickel



**Basket Strainer Assembly
EZ-On Mount**

Stainless Steel Body
Satin/Brushed Nickel Finish, Fits Sinks Up to 1" Thick
Galvanized Steel 3 Screw Rapid Mount Assembly
Brass Tail Piece Nut, Poly Washer

59-3142 Wholesale Packaging
759-3142 Retail Packaging

Satin/Brushed Nickel Finish
Stainless Steel Basket
with Spring Lock Post

Chrome



**Basket Strainer Assembly
Spin and Lock**

Stainless Steel Body, Chrome Finish
Fits Sinks Up to 5/8" Thick, Zinc Heavy Duty Lock Nut
Zinc Tail Piece Nut, Poly Washer

59-3150 Wholesale Packaging
759-3150 Retail Packaging

Stainless Steel Basket
with Spin and Lock Post

Satin/Brushed Nickel



**Basket Strainer Assembly
Spin and Lock**

Stainless Steel Body
Satin/Brushed Nickel Finish
Fits Sinks Up to 5/8" Thick, Zinc Heavy Duty Lock Nut
Zinc Tail Piece Nut, Poly Washer

59-3152 Wholesale Packaging
759-3152 Retail Packaging

Satin/Brushed Nickel Finish
Stainless Steel Basket
with Spin and Lock Post

Chrome



Basket Strainer Assembly

Stainless Steel Body, Chrome Finish
Fits Sinks Up to 3/4" Thick
1-1/2" Zinc Lock Nut, Galvanized Steel Deep Pressure Cup Housing
Zinc Tail Piece Nut, Poly Washer

59-3170 Wholesale Packaging
759-3170 Retail Packaging

Stainless Steel Basket
with Post

Chrome



Basket Strainer Assembly

Stainless Steel Body, Chrome Finish
Fits Sinks Up to 3/4" Thick
1-1/2" Zinc Lock Nut, Galvanized Steel Deep Pressure Cup Housing
Zinc Tail Piece Nut, Poly Washer

59-3180 Wholesale Packaging
759-3180 Retail Packaging

Stainless Steel Basket
with Spring Lock Post

Chrome



Basket Strainer Assembly

Stainless Steel Body, Chrome Finish
Fits Sinks Up to 3/4" Thick
1-1/2" Zinc Lock Nut, Galvanized Steel Deep Pressure Cup Housing
Brass Tail Piece Nut, Poly Washer

59-3190 Wholesale Packaging
759-3190 Retail Packaging

Stainless Steel Basket
with Deluxe Ball Catch Post



SINK STRAINER ASSEMBLIES

**PERFECT
Putty**



Chrome



Basket Strainer Assembly

Solid Brass Body
Chrome Finish
Fits Sinks Up to 1/2" Thick, Brass Lock Nut
Brass Tail Piece Nut, Poly Washer

59-3200 Wholesale Packaging
759-3200 Retail Packaging

Stainless Steel Basket
with Deluxe Drop Down Seal Post



Chrome



**Basket Strainer Assembly
Spin and Lock**

Solid Brass Body, Chrome Finish
Fits Sinks Up to 3/4" Thick, Brass Lock Nut
Brass Tail Piece Nut, Poly Washer

59-3220 Wholesale Packaging
759-3220 Retail Packaging

Stainless Steel Basket
with Spin and Lock Post



Satin/Brushed Nickel



**Basket Strainer Assembly
Spin and Lock**

Solid Brass Body, Satin/Brushed Nickel Finish
Fits Sinks Up to 3/4" Thick, Brass Lock Nut
Brass Tail Piece Nut, Poly Washer

59-3222 Wholesale Packaging
759-3222 Retail Packaging

Satin/Brushed Nickel Finish
Stainless Steel Basket
with Spin and Lock Post



Oil Rubbed Bronze



**Basket Strainer Assembly
Spin and Lock**

Solid Brass Body, Oil Rubbed Bronze Finish
Fits Sinks Up to 3/4" Thick, Brass Lock Nut
Brass Tail Piece Nut, Poly Washer

59-3224 Wholesale Packaging
759-3224 Retail Packaging

Oil Rubbed Bronze Finish
Stainless Steel Basket
with Spin and Lock Post



Polished Brass



**Basket Strainer Assembly
Spin and Lock**

Solid Brass Body, Polished Brass Finish
Fits Sinks Up to 3/4" Thick, Brass Lock Nut
Brass Tail Piece Nut, Poly Washer

59-3226 Wholesale Packaging
759-3226 Retail Packaging

Polished Brass Finish
Stainless Steel Basket
with Spin and Lock Post



Wholesale Packaging

Labeled White Box
only



Chrome

**Stainless Steel Junior Duo
Basket Strainer Assembly**

Stainless Steel Body, Chrome Finish
Fits Sinks Up to 1-1/2" Thick, Zinc Lock Nut
Zinc Tail Piece Nut, Rubber Washer

59-3060 Wholesale Packaging ONLY

Stainless Steel
Deep Cup Basket

SINK STRAINER ASSEMBLIES

Satin/Brushed Nickel



Wholesale Packaging

Labeled White Box
only



Chrome



Stainless Steel Junior Duo Basket Strainer Assembly

Stainless Steel Body, Satin/Brushed Nickel Finish
Fits Sinks Up to 1-1/2" Thick, Zinc Lock Nut
Zinc Tail Piece Nut, Rubber Washer

59-3062 Wholesale Packaging ONLY

Satin/Brushed Nickel Finish
Stainless Steel Basket
Deep Cup Basket

Basket Strainer Assembly


Stainless Steel Body, Chrome Finish
Fits Sinks Up to 1-1/2" Thick, Zinc Lock Nut
Zinc Tail Piece Nut, Rubber Washer

59-3050 Wholesale Packaging ONLY

Stainless Steel Basket
with Rubber Pedestal Post


FOR MORE INFORMATION and INSTALLATION INSTRUCTIONS visit:

www.perfectputty.net



Kissler
PHONE: 1-800-KISSLER
FAX: (201) 896-9190
WEB: WWW.KISSLER.COM

**PERFECT
Putty**
WWW.PERFECTPUTTY.NET



HOW TO INSTALL A PERFECT PUTTY® BASKET STRAINER ASSEMBLY

Installation : Demo Video

Kissler & CO. INC.

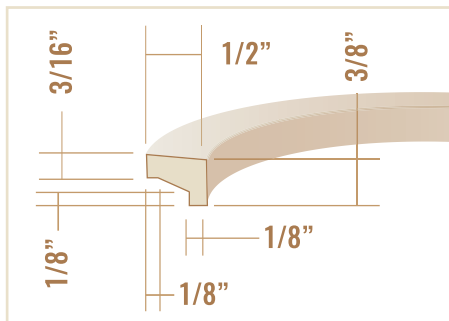
Phone: 1-800-KISSLER Fax: (201) 896-9190 Email: sales@kissler.com
www.perfectputty.net ■ www.kissler.com

PERFECT Putty®

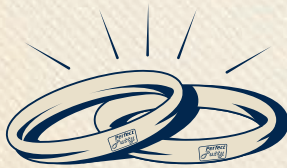
Save Time & Money!

PERFECT PUTTY®

Perfect Putty® is a pre-installed Plumber's Putty Rope with a specifically designed profile to provide the maximum amount of putty in the areas where it is needed. This profile makes sure the **installation is quick and perfect**. A minimal amount of putty is wasted compared to the method of rolling putty ropes by hand from a tub of putty.



The top angle hugs the flange at the top of the strainer or pop-up. The front angle makes sure enough putty contacts the sink or tub.



All Perfect Putty® Items are Hermetically Sealed to keep the putty in perfect condition until you are ready to install it!



Scan QR Code for quick website access

New! Now Available Innovative!

POP-UP ASSEMBLIES

complete with
PRE-INSTALLED PLUMBER'S PUTTY



11 Pop-Up Assemblies, In 4 Popular Finishes

-Chrome, Satin/Brushed Nickel, Polished Brass and Oil Rubbed Bronze.
If you are looking for all Plastic, Half Plastic or Solid Brass, we have the Pop-Ups your customers need for the job!

3 Grid Strainers, Regular and 17 Gauge Heavy Duty, Chrome Plated

Hermetically Sealed to keep the Putty in Perfect condition until you are ready to install it!

Less Waste. Installation is Quick and Perfect.

Available Packaging:

→ **Wholesale Style, Labeled White Box** with Part Number, Description/Features, Product Photo and Barcode.



TRY ALL 3 PRODUCT CATEGORIES!

- Perfect Putty®
- SINK STRAINER ASSEMBLIES
- POP-UP ASSEMBLIES
- BATH WASTE & OVERFLOWS



Kissler & CO INC

FOR MORE INFORMATION : Call 1-800-KISSLER or Email Sales@Kissler.com
www.perfectputty.net ■ www.kissler.com

POP-UP ASSEMBLIES

**PERFECT
Putty**

Chrome



Plastic Body

Lavatory Pop-Up Assembly

Plastic Body, Chrome Finish
Stainless Steel Wrapped Rim, Fits Sinks Up to 2" Thick
Plastic Lock Nut, with Overflow

59-4500 Wholesale Packaging

Chrome



Chrome Plated Plastic Body

Lavatory Pop-Up Assembly

Chrome Plated Plastic Body, Chrome Finish
Stainless Steel Wrapped Rim, Fits Sinks Up to 2" Thick
Plastic Lock Nut, with Overflow

59-4505 Wholesale Packaging

Chrome



1/2 Plastic 1/2 Stainless Steel Body

Lavatory Pop-Up Assembly

1/2 Plastic 1/2 Stainless Steel Body, Chrome Finish
Fits Sinks Up to 2" Thick
Brass Lock Nut, with Overflow

59-4510 Wholesale Packaging

Satin/Brushed Nickel



1/2 Plastic 1/2 Stainless Steel Body

Lavatory Pop-Up Assembly

1/2 Plastic 1/2 Stainless Steel Body, Satin/Brushed Nickel Finish
Fits Sinks Up to 2" Thick
Brass Lock Nut, with Overflow

59-4515 Wholesale Packaging

Kissler
A CONIC

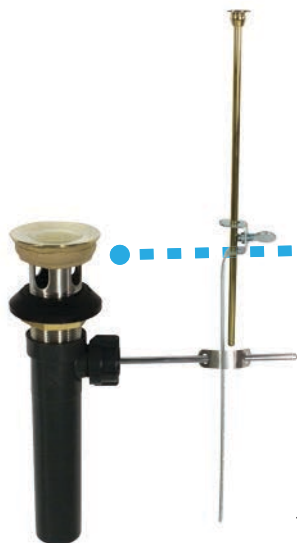
Phone: 1-800-KISSLER Fax: (201) 896-9190 Email: sales@kissler.com
www.perfectputty.net ■ www.kissler.com



POP-UP ASSEMBLIES

Polished Brass

Oil Rubbed Bronze



1/2 Plastic 1/2 Stainless Steel Body



1/2 Plastic 1/2 Stainless Steel Body



Lavatory Pop-Up Assembly

1/2 Plastic 1/2 Stainless Steel Body, Polished Brass Finish
Fits Sinks Up to 2" Thick
Brass Lock Nut, with Overflow

59-4520 Wholesale Packaging

Lavatory Pop-Up Assembly

1/2 Plastic 1/2 Stainless Steel Body, Oil Rubbed Bronze Finish
Fits Sinks Up to 2" Thick
Brass Lock Nut, with Overflow

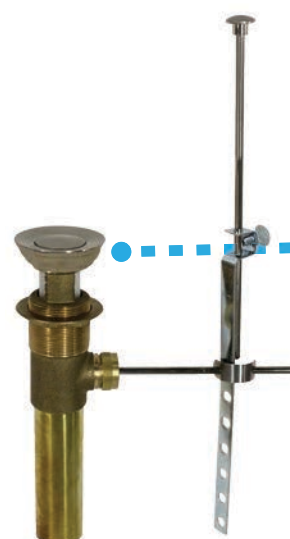
59-4525 Wholesale Packaging

Chrome

Satin/Brushed Nickel



Brass Body and Tailpiece
20 Gauge Standard Duty



Brass Body and Tailpiece
20 Gauge Standard Duty



Lavatory Pop-Up Assembly

Brass Body and Tailpiece, 20 Gauge Standard Duty, Chrome Finish
Fits Sinks Up to 2" Thick
Brass Lock Nut, with Overflow

59-4530 Wholesale Packaging

Lavatory Pop-Up Assembly

Brass Body and Tailpiece, 20 Gauge Standard Duty, Satin/Brushed Nickel Finish
Fits Sinks Up to 2" Thick
Brass Lock Nut, with Overflow

59-4535 Wholesale Packaging



POP-UP ASSEMBLIES

**PERFECT
Putty**

Polished Brass



Brass Body and Tailpiece
20 Gauge Standard Duty

Lavatory Pop-Up Assembly

Brass Body and Tailpiece, 20 Gauge Standard Duty, Polished Brass Finish
Fits Sinks Up to 2" Thick
Brass Lock Nut, with Overflow

59-4540 Wholesale Packaging

Oil Rubbed Bronze



Brass Body and Tailpiece
20 Gauge Standard Duty

Lavatory Pop-Up Assembly

Brass Body and Tailpiece, 20 Gauge Standard Duty, Oil Rubbed Bronze Finish
Fits Sinks Up to 2" Thick
Brass Lock Nut, with Overflow

59-4545 Wholesale Packaging

Chrome



Brass Body and Tailpiece
17 Gauge Heavy Duty

Lavatory Pop-Up Assembly

Brass Body and Tailpiece, 17 Gauge Heavy Duty, Chrome Finish
Fits Sinks Up to 2" Thick
Brass Lock Nut, with Overflow

59-4547 Wholesale Packaging

Kissler
A CONIC

Phone: 1-800-KISSLER Fax: (201) 896-9190 Email: sales@kissler.com
www.perfectputty.net ■ www.kissler.com

GRID DRAIN ASSEMBLIES

**PERFECT
Putty**

Chrome



Brass Body and Tailpiece
20 Gauge Standard Duty

Lavatory Grid Drain Assembly

Brass Body and Tailpiece, 20 Gauge Standard Duty, Chrome Finish
Fits Sinks Up to 2" Thick
Brass Lock Nut, with Overflow

59-4550 Wholesale Packaging

Satin/Brushed Nickel



Brass Body and Tailpiece
20 Gauge Standard Duty

Lavatory Grid Drain Assembly

Brass Body and Tailpiece, 20 Gauge Standard Duty, Satin/Brushed Nickel Finish
Fits Sinks Up to 2" Thick
Brass Lock Nut, with Overflow

59-4555 Wholesale Packaging

Chrome



Brass Body and Tailpiece
17 Gauge Heavy Duty

Lavatory Grid Drain Assembly

Brass Body and Tailpiece, 17 Gauge Heavy Duty, Chrome Finish
Fits Sinks Up to 2" Thick
Brass Lock Nut, with Overflow

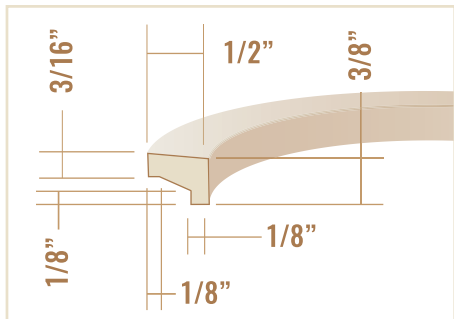
59-4560 Wholesale Packaging

PERFECT Putty®

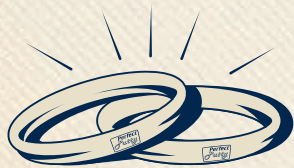
Save Time & Money!

PERFECT PUTTY®

Perfect Putty® is a pre-installed Plumber's Putty Rope with a specifically designed profile to provide the maximum amount of putty in the areas where it is needed. This profile makes sure the **installation is quick and perfect**. A minimal amount of putty is wasted compared to the method of rolling putty ropes by hand from a tub of putty.



The top angle hugs the flange at the top of the strainer or pop-up. The front angle makes sure enough putty contacts the sink or tub.



All Perfect Putty® Items are Hermetically Sealed to keep the putty in perfect condition until you are ready to install it!

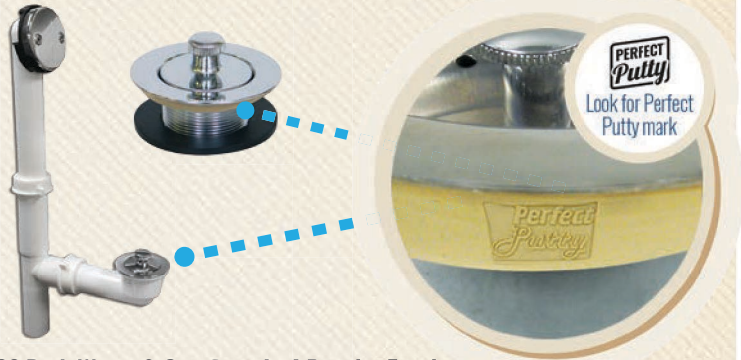


Scan QR Code for quick website access

New! Now Available Innovative!

BATH WASTE & OVERFLOWS

complete with
PRE-INSTALLED PLUMBER'S PUTTY



22 Bath Waste & Overflows In 4 Popular Finishes

- Chrome, Satin/Brushed Nickel, Polished Brass and White.

If you need Plastic or Brass we have 10 Plastic and 12 Brass to choose from!

Trip Lever, Lift and Turn, and Tip-Toe Styles

1-1/2 Inch PVC Tubular with Adjustable Shoe and Overflow.

1-1/2 Inch 17 Gauge Brass Tubular with Adjustable Shoe and Overflow fit all the applications your customers need.

Hermetically Sealed to keep the Putty in Perfect condition until you are ready to install it!



Less Waste. Installation is Quick and Perfect.

Available Packaging:

Wholesale Style, Labeled White Box with Part Number, Description/Features, Product Photo and Barcode.

Trim Kits include: Plate, Plug, Screws and Washers.

TRY ALL 3 PRODUCT CATEGORIES!

- Perfect Putty®
- SINK STRAINER ASSEMBLIES
- POP-UP ASSEMBLIES
- BATH WASTE & OVERFLOWS



Kissler & CO INC

FOR MORE INFORMATION : Call 1-800-KISSLER or Email Sales@Kissler.com
www.perfectputty.net ■ www.kissler.com



*Chrome
Trip Lever Plate
and Grid Drain Cover*



Plastic Waste and Overflow

1-1/2" Plastic Tubular, Chrome Trip Lever
1-1/2" Coarse Thread Shoe with Perfect Putty
Spring Style 2 Hole Trip Lever Plate with Channeled Washer (w/ hold-in-place ears)
Plastic Bucket and Linkage, Grid Tub Shoe Plug

58-5000 Wholesale Packaging

58-5001 Trim Kit available

*Satin/Brushed Nickel
Trip Lever Plate
and Grid Drain Cover*



Plastic Waste and Overflow

1-1/2" Plastic Tubular, Satin/Brushed Nickel Trip Lever
1-1/2" Coarse Thread Shoe with Perfect Putty
Spring Style 2 Hole Trip Lever Plate with Channeled Washer (w/ hold-in-place ears)
Plastic Bucket and Linkage, Grid Tub Shoe Plug

58-5005 Wholesale Packaging

58-5006 Trim Kit available

*Polished Brass
Trip Lever Plate
and Grid Drain Cover*



Plastic Waste and Overflow

1-1/2" Plastic Tubular, Chrome Trip Lever
1-1/2" Coarse Thread Shoe with Perfect Putty
Spring Style 2 Hole Trip Lever Plate with Channeled Washer (w/ hold-in-place ears)
Plastic Bucket and Linkage, Grid Tub Shoe Plug

58-5010 Wholesale Packaging

58-5011 Trim Kit available

*White
Trip Lever Plate
and Grid Drain Cover*



Plastic Waste and Overflow

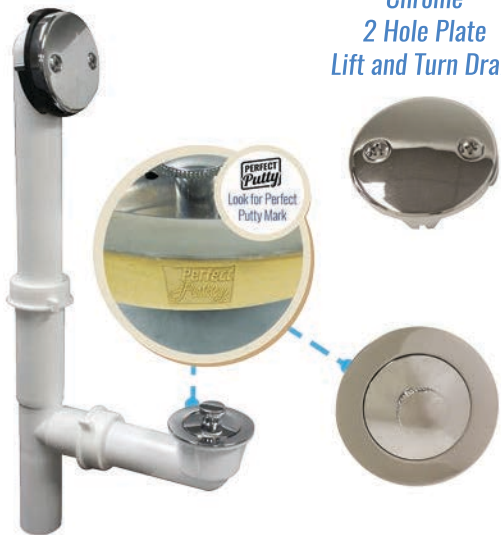
1-1/2" Plastic Tubular, Satin/Brushed Nickel Trip Lever
1-1/2" Coarse Thread Shoe with Perfect Putty
Spring Style 2 Hole Trip Lever Plate with Channeled Washer (w/ hold-in-place ears)
Plastic Bucket and Linkage, Grid Tub Shoe Plug

58-5015 Wholesale Packaging

58-5016 Trim Kit available



*Chrome
2 Hole Plate
Lift and Turn Drain*



Plastic Waste and Overflow

1-1/2" Plastic Tubular, Chrome Lift and Turn
1-1/2" Coarse Thread Shoe with Perfect Putty
2 Hole Overflow Plate with Channeled Washer (w/ hold-in-place ears)
Lift and Turn Shoe Plug

58-5020 Wholesale Packaging
58-5021 Trim Kit available

*Satin/Brushed Nickel
2 Hole Plate
Lift and Turn Drain*



Plastic Waste and Overflow

1-1/2" Plastic Tubular, Satin/Brushed Nickel Lift and Turn
1-1/2" Coarse Thread Shoe with Perfect Putty
2 Hole Overflow Plate with Channeled Washer (w/ hold-in-place ears)
Lift and Turn Shoe Plug

58-5025 Wholesale Packaging
58-5026 Trim Kit available

*Chrome
2 Hole Plate
and Tip-Toe Drain*



Plastic Waste and Overflow

1-1/2" Plastic Tubular, Chrome Tip-Toe
1-1/2" Coarse Thread Shoe with Perfect Putty
2 Hole Overflow Plate with Channeled Washer (w/ hold-in-place ears)
Tub Shoe Plug with Chrome Tip-Toe Stopper

58-5030 Wholesale Packaging
58-5031 Trim Kit available

*Satin/Brushed Nickel
2 Hole Plate
and Tip-Toe Drain*



Plastic Waste and Overflow

1-1/2" Plastic Tubular, Satin/Brushed Nickel Tip-Toe
1-1/2" Coarse Thread Shoe with Perfect Putty
2 Hole Overflow Plate with Channeled Washer (w/ hold-in-place ears)
Tub Shoe Plug with Satin/Brushed Nickel Tip-Toe Stopper

58-5035 Wholesale Packaging
58-5036 Trim Kit available

BATH WASTE & OVERFLOWS plastic



*Polished Brass
2 Hole Plate
and Tip-Toe Drain*



*White
2 Hole Plate
and Tip-Toe Drain*



Plastic Waste and Overflow

- 1-1/2" Plastic Tubular, Polished Brass Tip-Toe
- 1-1/2" Coarse Thread Shoe with Perfect Putty
- 2 Hole Overflow Plate with Channeled Washer (w/ hold-in-place ears)
- Tub Shoe Plug with Polished Brass Tip-Toe Stopper

58-5040 Wholesale Packaging

58-5041 Trim Kit available

Plastic Waste and Overflow

- 1-1/2" Plastic Tubular, White Tip-Toe
- 1-1/2" Coarse Thread Shoe with Perfect Putty
- 2 Hole Overflow Plate with Channeled Washer (w/ hold-in-place ears)
- Tub Shoe Plug with White Tip-Toe Stopper

58-5045 Wholesale Packaging

58-5046 Trim Kit available

**PERFECT
Putty**

Chrome
Trip Lever Plate
and Grid Drain Cover



1-1/2" Brass 20 Gauge

Brass Waste and Overflow

1-1/2" Brass 20 Gauge, Chrome Trip Lever
1-1/2" Coarse Thread Shoe with Perfect Putty
Spring Style 2 Hole Trip Lever Plate with Channeled Washer (w/ hold-in-place ears)
Brass Bucket and Linkage, Grid Tub Shoe Plug

58-5050 Wholesale Packaging
58-5001 Trim Kit available

Satin/Brushed Nickel
Trip Lever Plate
and Grid Drain Cover



1-1/2" Brass 20 Gauge

Brass Waste and Overflow

1-1/2" Brass 20 Gauge, Satin/Brushed Nickel Trip Lever
1-1/2" Coarse Thread Shoe with Perfect Putty
Spring Style 2 Hole Trip Lever Plate with Channeled Washer (w/ hold-in-place ears)
Brass Bucket and Linkage, Grid Tub Shoe Plug

58-5055 Wholesale Packaging
58-5006 Trim Kit available

Polished Brass
Trip Lever Plate
and Grid Drain Cover



1-1/2" Brass 20 Gauge

Brass Waste and Overflow

1-1/2" Brass 20 Gauge, Polished Brass Trip Lever
1-1/2" Coarse Thread Shoe with Perfect Putty
Spring Style 2 Hole Trip Lever Plate with Channeled Washer (w/ hold-in-place ears)
Brass Bucket and Linkage, Grid Tub Shoe Plug

58-5060 Wholesale Packaging
58-5011 Trim Kit available

White
Trip Lever Plate
and Grid Drain Cover



1-1/2" Brass 20 Gauge

Brass Waste and Overflow

1-1/2" Brass 20 Gauge, White Trip Lever
1-1/2" Coarse Thread Shoe with Perfect Putty
Spring Style 2 Hole Trip Lever Plate with Channeled Washer (w/ hold-in-place ears)
Brass Bucket and Linkage, Grid Tub Shoe Plug

58-5065 Wholesale Packaging
58-5016 Trim Kit available



*Chrome
2 Hole Plate
Lift and Turn Drain*



1-1/2" Brass 20 Gauge

Brass Waste and Overflow

1-1/2" Brass 20 Gauge, Chrome Lift and Turn
1-1/2" Coarse Thread Shoe with Perfect Putty
2 Hole Overflow Plate with Channeled Washer (w/ hold-in-place ears)
Lift and Turn Shoe Plug

58-5070 Wholesale Packaging
58-5021 Trim Kit available

*Satin/Brushed Nickel
2 Hole Plate
Lift and Turn Drain*



1-1/2" Brass 20 Gauge

Brass Waste and Overflow

1-1/2" Brass 20 Gauge, Satin/Brushed Nickel Lift and Turn
1-1/2" Coarse Thread Shoe with Perfect Putty
2 Hole Overflow Plate with Channeled Washer (w/ hold-in-place ears)
Lift and Turn Shoe Plug

58-5075 Wholesale Packaging
58-5026 Trim Kit available

*Chrome
2 Hole Plate
and Tip-Toe Drain*



1-1/2" Brass 20 Gauge

Brass Waste and Overflow

1-1/2" Brass 20 Gauge, Chrome Tip-Toe
1-1/2" Coarse Thread Shoe with Perfect Putty
2 Hole Overflow Plate with Channeled Washer (w/ hold-in-place ears)
Tub Shoe Plug with Plastic Tip-Toe Stopper

58-5080 Wholesale Packaging
58-5031 Trim Kit available

*Satin/Brushed Nickel
2 Hole Plate
and Tip-Toe Drain*



1-1/2" Brass 20 Gauge

Brass Waste and Overflow

1-1/2" Brass 20 Gauge, Satin/Brushed Nickel Tip-Toe
1-1/2" Coarse Thread Shoe with Perfect Putty
2 Hole Overflow Plate with Channeled Washer (w/ hold-in-place ears)
Tub Shoe Plug with Plastic Tip-Toe Stopper

58-5085 Wholesale Packaging
58-5036 Trim Kit available



Polished Brass
2 Hole Plate
and Tip-Toe Drain



1-1/2" Brass 20 Gauge

Brass Waste and Overflow

1-1/2" Brass 20 Gauge, Polished Brass Tip-Toe
1-1/2" Coarse Thread Shoe with Perfect Putty
2 Hole Overflow Plate with Channeled Washer (w/ hold-in-place ears)
Tub Shoe Plug with Plastic Tip-Toe Stopper

58-5090 Wholesale Packaging
58-5041 Trim Kit available

White
2 Hole Plate
and Tip-Toe Drain



1-1/2" Brass 20 Gauge

Brass Waste and Overflow

1-1/2" Brass 20 Gauge, White Tip-Toe
1-1/2" Coarse Thread Shoe with Perfect Putty
2 Hole Overflow Plate with Channeled Washer (w/ hold-in-place ears)
Tub Shoe Plug with Plastic Tip-Toe Stopper

58-5095 Wholesale Packaging
58-5046 Trim Kit available

Chrome
Trip Lever Plate
and Grid Drain Cover, Gerber Style



1-1/2" Brass 20 Gauge

Brass Waste and Overflow

1-1/2" Brass 20 Gauge, Chrome Trip Lever (Gerber Style)
1-1/2" Coarse Thread Shoe with Perfect Putty
Spring Style 2 Hole Trip Lever Plate with Channeled Washer (w/ hold-in-place ears)
Brass Bucket and Linkage (Gerber Style), Grid Tub Shoe Plug

58-5096 Wholesale Packaging

Chrome
2 Hole Plate
Rubber Stopper & Chain



1-1/2" Brass 20 Gauge

Brass Waste and Overflow

1-1/2" Brass 20 Gauge, Rubber Stopper and Chain
1-1/2" Coarse Thread Shoe with Perfect Putty
2 Hole Overflow Plate with Channeled Washer (w/ hold-in-place ears)
Rubber Stopper with 16" Chrome Chain

58-5097 Wholesale Packaging



New Products Available

PRE-INSTALLED PLUMBER'S PUTTY

Available Items Listing

--- Shrink-Wrapped and Labeled Packaging ---

Pricing varies, based on model, features and packaging. Contact your Kissler Sales Representative for details and pricing.

Save Time & Money!

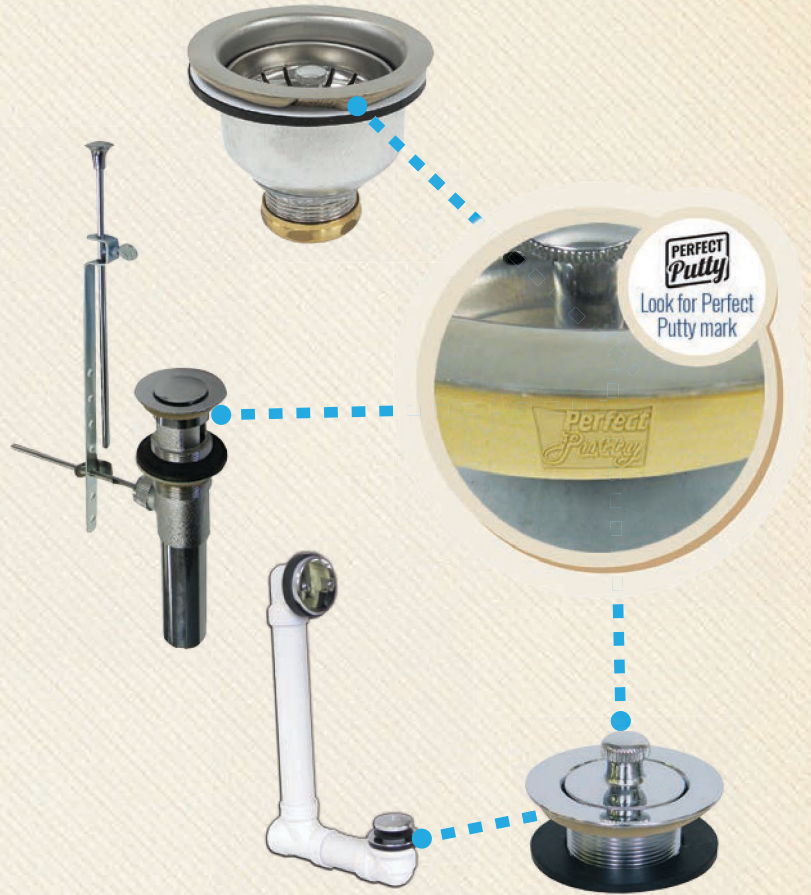
NOW AVAILABLE!

Perfect Putty®

SINK STRAINER ASSEMBLIES

POP-UP ASSEMBLIES

BATH WASTE & OVERFLOWS



Less Waste compared to rolling putty ropes by hand from a tub of putty.
Installation is Quick and Perfect.
Save time and money with Perfect Putty® Strainer Assemblies, Pop-Up Assemblies and Bath Waste & Overflows.

FOR MORE INFORMATION and INSTALLATION INSTRUCTIONS visit:
www.perfectputty.net



Scan for quick website access



HOW TO INSTALL A PERFECT PUTTY® BASKET STRAINER ASSEMBLY

Installation - Demo Video

